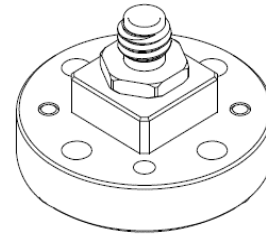


## WR-10 to 1.0mm, End Launch

## AT-AP-101X-E

### Feature

WR-10 to 1.0mm Adapter  
 Specified 75-110GHz  
 Low Insertion Loss  
 Excellent Broadband VSWR



### Specifications -

Specifications guaranteed from -45 to +85°C, measured in a 50Ω system

Parameter	Frequency Range(GHz )	Min	Typ	Max	Unit	
Insertion Loss	75-110GHz		1	1.3	dB	
VSWR			1.3	1.4		
Power Handling				10	W	
VSWR				1.3	1.4	
Specifications Temp				25		C
Operating Temp			-40		85	C

### Environmental

-55 C to +125 C  
 Corrosion: MIL-STD 202  
 Vibration: MIL-STD 202

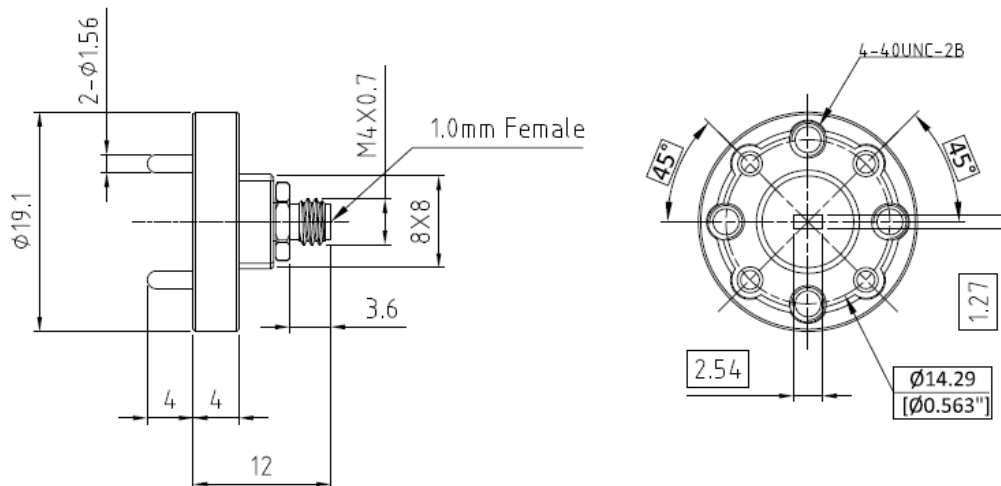
### Materials

Waveguide Housing: Brass, Gold Plated  
 Connector Housing: Stainless steel, Passivated  
 Connector Center Contact: Beryllium Copper, Gold Plated  
 Connector Insulator: PE

### Order Information

Connector #1	Connector #2	Part Number
WR-10	1.0mm Female	AT-WC-101F-E
WR-10	1.0mm Male	AT-WC-101M-E

### Dimension



AT Microwave

RM1204,NO.2911,North Zhongshan RD, Putuo District , Shanghai ,China, 200063  
 Tel:+8621-5291 8556 Email:sales@atmicrowave.com www.atmicrowave.com